



GLOBAL FINISHING SOLUTIONS

BURN-OFF

Ovens & Wash Booths

BURN-OFF OVENS

Heat cleaning is the proven solution for the painting industry. It limits labor costs, minimizes environmental impact and maximizes profit potential. GFS, a leader in heat transfer technology, manufactures a variety of Batch Burn-Off ovens to suit any manufacturers' needs.

Benefits:

- Eliminates hazardous chemicals in the workplace
- Very low labor cost
- Limited secondary clean-up
- Oven controls are fully automatic
- Compact design reduces exterior envelope and saves floor space
- Central heat distribution for optimum balance of heat



WASH BOOTHS

Engineered to address ash containment and secondary clean up associated with a burn-off process.

Standard Features:

- Constructed of 10 gauge steel and heavy structural steel support with two overhead roll-up doors
- Heavy-duty structural steel cart with track extension
- Header and spray nozzle system
- Manual rinse station with wand and hose for detailing of parts
- Polypropylene roof panels for greater visibility inside of booth
- Reservoir tank made of 10 gauge steel
- Media filter baskets with handles for easy removal of ash
- Low solution level switch to prevent pump cavitation

BURN-OFF Ovens

Applications

Batch Burn-Off Ovens can remove limited amounts of paint, powder coating, epoxies, lacquers, urethanes and other organic or inorganic compounds from a variety of parts, such as:

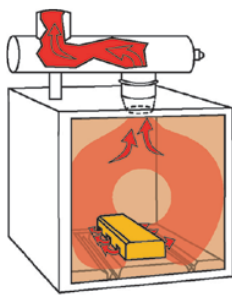
- Racks
- Hooks
- Fixtures
- Part reclamations

Other Applications

- Engine & Part rebuilders
- Electric motor rebuilders

Process

The process is simple: the operator loads a rack of parts to be cleaned into the oven, pushes the start button and closes the door. The average cycle time is 2 to 6 hours. The system is fully automatic, which allows the operator the option of handling other tasks or running the oven at night. The central heat distribution system ensures even temperatures throughout the oven chamber and eliminates cold spots. This precise control of temperature prevents distortion of the part during the process. The primary and secondary water suppression system along with the monitoring of both the oven and afterburner chamber temperatures ensures a safe controlled burn-off.



Safe and Clean

During the process, hazardous contaminants are eliminated by the oven's afterburner. The afterburner thermally destroys pollutants at temperatures ranging from 1400 °F to 1900 °F. What's left is a small amount of ash that can be easily shaken or brushed off. In most areas, this ash is not considered hazardous waste. GFS ovens are approved by Air Quality Authorities throughout the U.S., Canada and overseas.

Secondary Clean-Up

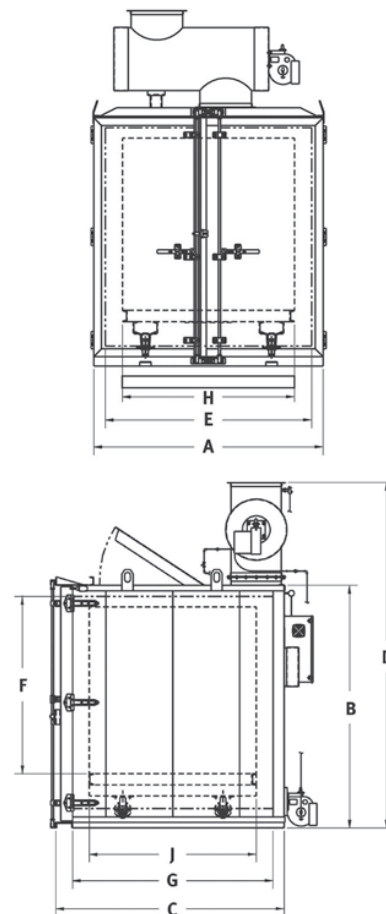
GFS has engineered and manufactured a Wash Booth to address ash containment and typical house cleaning normally associated with a burn-off process. GFS is the only burn-off oven manufacturer to address secondary cleanup and offer a solution. Please contact GFS for more information.

Optional

- Custom controls and sizes
- Stainless steel oven interior
- Customized cart
- Temperature indicating package chart recorded (dual pen)
- FM or IRI controls

| Model No. | External Dimensions | | | After-burner Outlet Ht D | Max. Product Dim. | | | Cart Size | | Total Internal Volume | Approx. Weight |
|-----------|---------------------|-------------|------------|--------------------------------|-------------------|----------------|------------|-----------|-------|-----------------------------|-------------------|
| | Width A | Height B | Depth C | | Width E | Over Cart F | Depth G | Width | Depth | | |
| BBO-3303 | 56" | 66" | 56" | 100" | 36" | 36" | 36" | 36" | 36" | 68 | 2,800 |
| BBO-4404 | 68" | 78" | 68" | 112" | 48" | 48" | 48" | 48" | 48" | 132 | 3,500 |
| BBO-4406 | 68" | 78" | 92" | 112" | 48" | 48" | 72" | 48" | 72" | 184 | 3,800 |
| BBO-5505 | 80" | 90" | 80" | 124" | 60" | 60" | 60" | 60" | 60" | 226 | 4,000 |
| BBO-6606 | 92" | 102" | 92" | 136" | 72" | 72" | 72" | 72" | 72" | 356 | 6,000 |
| BBO-6608 | 92" | 102" | 116" | 144" | 72" | 72" | 96" | 72" | 96" | 458 | 6,600 |
| BBO-6610 | 92" | 102" | 140" | 144" | 72" | 72" | 120" | 72" | 120" | 560 | 7,300 |
| BBO-6612 | 92" | 102" | 164" | 144" | 72" | 72" | 144" | 72" | 144" | 662 | 8,000 |
| BBO-6706 | 92" | 114" | 92" | 120" + | 72" | 84" | 72" | 72" | 72" | 405 | 6,600 |
| BBO-6708 | 92" | 114" | 116" | 156" | 72" | 84" | 96" | 72" | 96" | 521 | 7,200 |
| BBO-6710 | 92" | 114" | 140" | 156" | 72" | 84" | 120" | 72" | 120" | 637 | 8,000 |
| BBO-6808 | 92" | 126" | 116" | 132" + | 72" | 96" | 96" | 72" | 96" | 584 | 7,400 |
| BBO-6810 | 92" | 126" | 140" | 132" + | 72" | 96" | 120" | 72" | 120" | 714 | 8,400 |
| BBO-7606 | 104" | 102" | 92" | 136" | 84" | 72" | 72" | 84" | 72" | 407 | 5,000 |
| BBO-7608 | 104" | 102" | 116" | 144" | 84" | 72" | 96" | 84" | 96" | 524 | 7,200 |
| BBO-7610 | 104" | 102" | 140" | 144" | 84" | 72" | 120" | 84" | 120" | 640 | 8,000 |
| BBO-8808 | 116" | 126" | 116" | 132" + | 96" | 96" | 96" | 96" | 96" | 751 | 9,000 |
| BBO-8810 | 116" | 126" | 140" | 168" | 96" | 96" | 120" | 96" | 120" | 918 | 9,000 |
| BBO-8812 | 116" | 126" | 164" | 168" | 96" | 96" | 144" | 96" | 144" | 1,085 | 12,000 |
| BBO-8814 | 116" | 126" | 188" | 168" | 96" | 96" | 168" | 96" | 168" | 1,249 | 15,000 |

+ Rear Mount Afterburner



BURN-OFF Washers

Process

Designed for the secondary cleanup of burned-off racks, hooks, fixtures, and parts. After the burn-off process, the operator transfers the load to the wash booth cart. The cart is rolled into the wash booth and the overhead doors are closed. The operator then turns on a high-volume pump, drawing ambient water from the side reservoir tank. The water is sprayed through nozzles located overhead and in each corner.

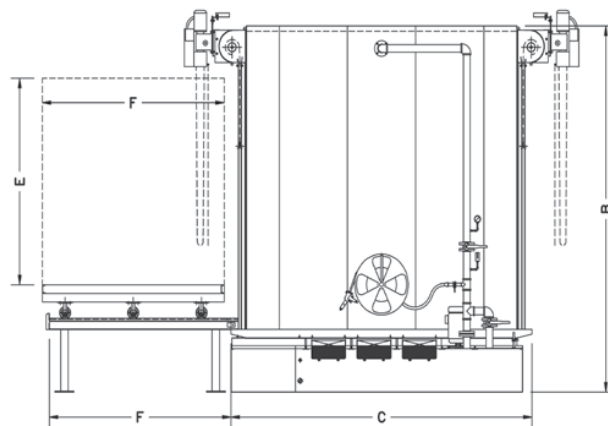
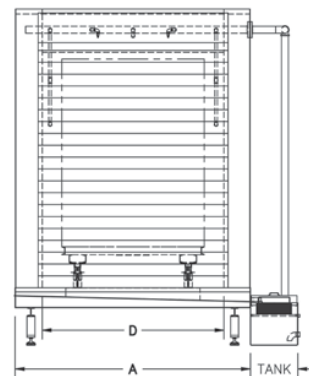
The loose ash is flushed from the surface and travels to the filtration area where it is collected for manual removal. A spray wand is included for manual detailing of the parts as needed and will require plant water tie-in for water supply. Overhead roll-up doors, located in front and rear of the booth, allow the operator to access the load for manual detailing and final removal as needed.

Options

- Auxiliary manual power washer (2 gpm @ 1000 psi)
- Overhead hoist (electric, 2000 lbs)
- Turntable
- Additional roll-up door
- Customized cart

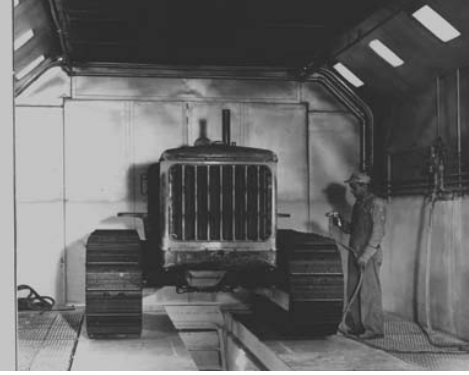
| Model No. | External Dimensions | | | Load Area * | | | Load Volume Ft ³ |
|-----------|---------------------|----------|---------|-------------|----------|---------|-----------------------------|
| | Width A | Height B | Depth C | Width D | Height E | Depth F | |
| WBBO-3303 | 84 | 109 | 60 | 36 | 36 | 36 | 27 |
| WBBO-3403 | 84 | 121 | 60 | 36 | 48 | 36 | 36 |
| WBBO-3505 | 84 | 133 | 84 | 36 | 60 | 60 | 75 |
| WBBO-4404 | 96 | 121 | 72 | 48 | 48 | 48 | 64 |
| WBBO-4504 | 96 | 133 | 72 | 48 | 60 | 48 | 80 |
| WBBO-4604 | 96 | 145 | 72 | 48 | 72 | 48 | 96 |
| WBBO-5505 | 108 | 133 | 84 | 60 | 60 | 60 | 125 |
| WBBO-5605 | 108 | 145 | 84 | 60 | 72 | 60 | 150 |
| WBBO-5705 | 108 | 157 | 84 | 60 | 84 | 60 | 175 |
| WBBO-6404 | 120 | 121 | 72 | 72 | 48 | 48 | 96 |
| WBBO-6505 | 120 | 133 | 84 | 72 | 60 | 60 | 150 |
| WBBO-6606 | 120 | 145 | 96 | 72 | 72 | 72 | 216 |
| WBBO-6706 | 120 | 157 | 96 | 72 | 84 | 72 | 252 |
| WBBO-6806 | 120 | 169 | 96 | 72 | 96 | 72 | 288 |
| WBBO-7606 | 132 | 145 | 96 | 84 | 72 | 72 | 252 |
| WBBO-7706 | 132 | 157 | 96 | 84 | 84 | 72 | 294 |
| WBBO-8505 | 144 | 133 | 84 | 96 | 60 | 60 | 200 |
| WBBO-8606 | 144 | 145 | 96 | 96 | 72 | 72 | 288 |
| WBBO-8706 | 144 | 157 | 96 | 96 | 84 | 72 | 336 |
| WBBO-8806 | 144 | 169 | 96 | 96 | 96 | 72 | 384 |

All dimensions are approximate, in inches.
 * Dimensions are wall to wall and height over cart.



All designs, specifications and components are subject to change at the manufacturer's sole discretion at any time without notice. Data published herein is informational in nature and shall not be construed to warrant suitability of the unit for any particular purpose as performance may vary with the conditions encountered.

Global Finishing Solutions



With over 130 years of history, Global Finishing Solutions' (GFS) beginnings date back much further than any other manufacturer of spray booth environments. GFS' success comes from the amalgamation of North America's most significant finishing equipment manufacturers, including Binks, DeVilbiss and JBI. These companies, renowned worldwide for their unequalled product quality and technological superiority, have merged throughout the years to create a company with unsurpassed technical knowledge and engineering expertise. Privately owned by the Curran Group, GFS is in a position of great strength in the finishing industry, and continually invests in expanding our capabilities to serve our customers.

FROM AMERICA'S HEARTLAND TO YOUR FRONT DOOR

Made in Wisconsin, USA

All of GFS' products are fully designed and manufactured in our Osseo, Wisconsin facility. With a strong history in manufacturing, Wisconsin is home to a large and diversified economy. Among good company, some of America's largest manufacturers have placed their roots in this state, including Briggs & Stratton, Harley-Davidson, Johnson Controls, Mercury Marine, Oshkosh and Rockwell Automation.



With more than 200,000 square feet of manufacturing space and state-of-the-art equipment, GFS has the capacity and talent to build our booths from scratch. Virtually every part of our products are built in our shop, including the sheet steel panels, control panels, and lights.



Scan QR Code to
link to our website.

WWW.GLOBALFINISHING.COM • 800-848-8738 • industrial@globalfinishing.com

© 2013 Global Finishing Solutions®. All Rights Reserved.

BURNOFF-OW 03222013